

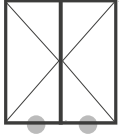


IGLOO

DRAUGHT EXCLUDERS

 Made in Italy

DOMATIC[®]



EN 1634-1 EI90

MPA NRW

DIN 4102-05 EI30

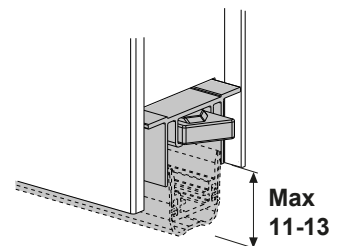
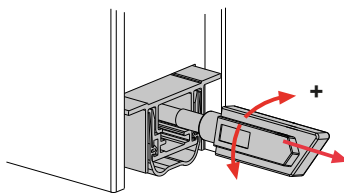
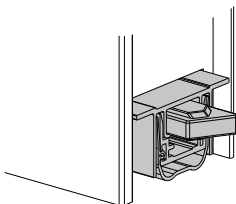
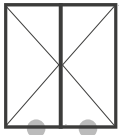
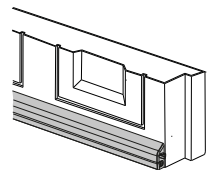
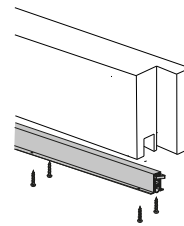
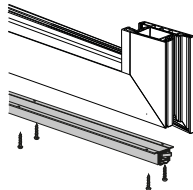
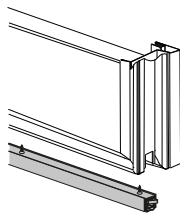
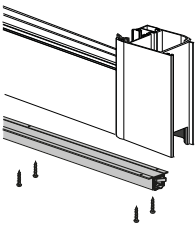


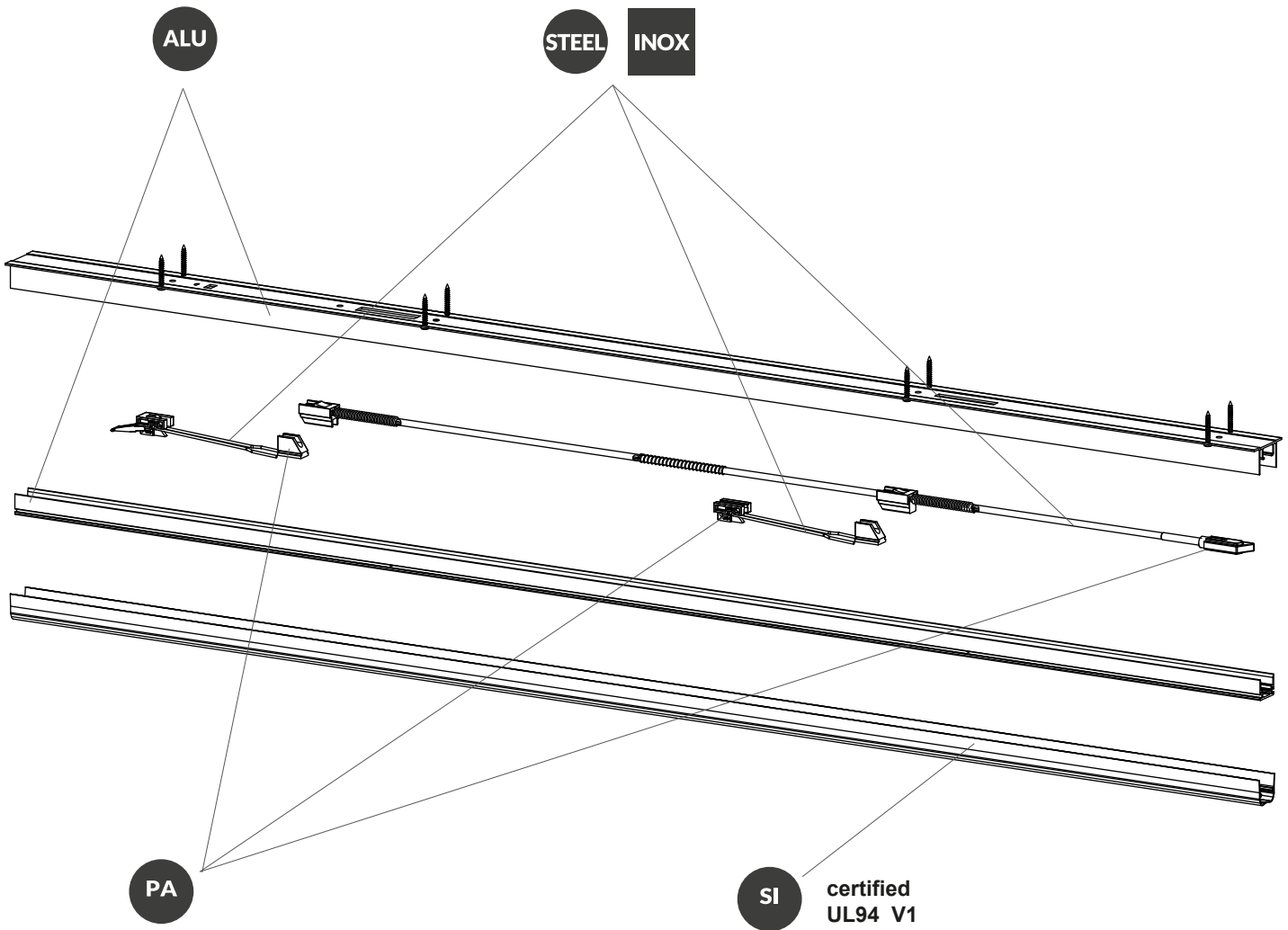
EN ISO 140
parti 1-2-3-4-5

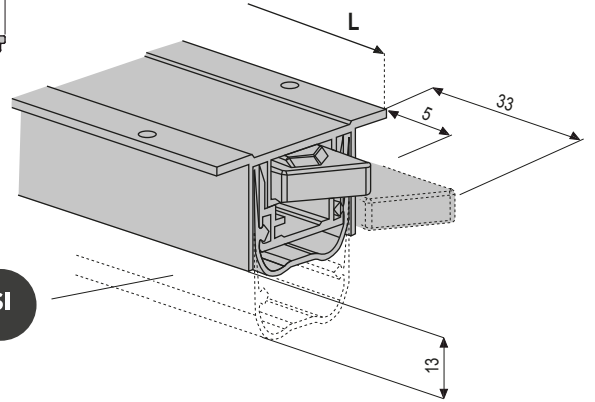
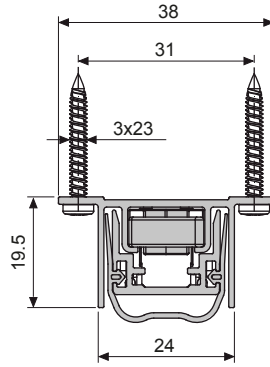


MPA NRW

DIN 18095-02



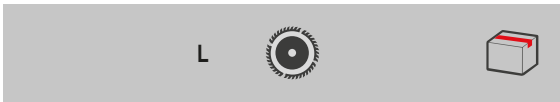
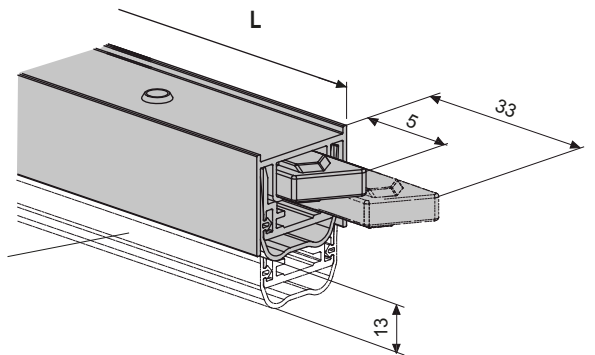
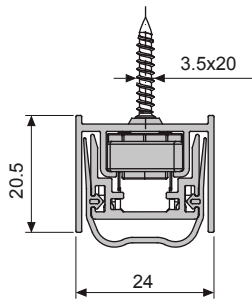
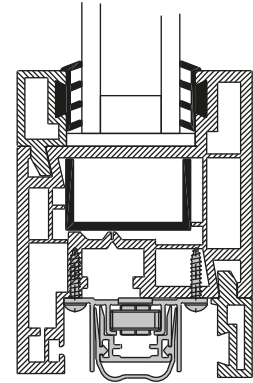
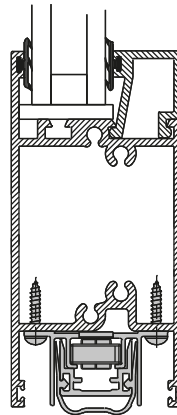




DA0501040	400	max=50	
DA0501050	500	max=100	
DA0501060	600	max=100	
DA0501070	700	max=100	
DA0501080	800	max=200	
DA0501090	900	max=200	
DA0501100	1000	max=200	
DA0501110	1100	max=200	
DA0501120	1200	max=200	
DA0501130	1300	max=200	

10

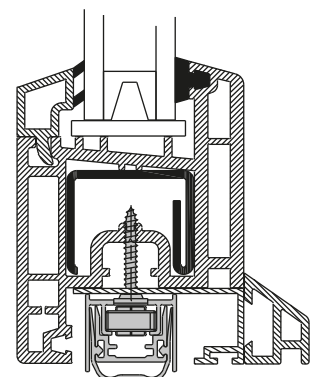
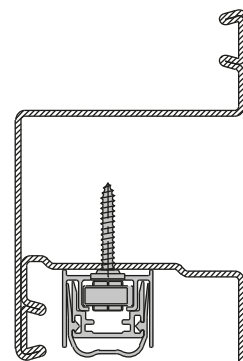
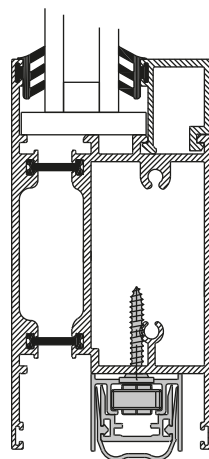
SI

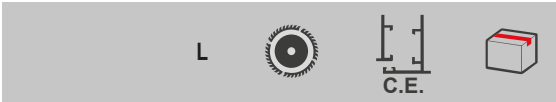
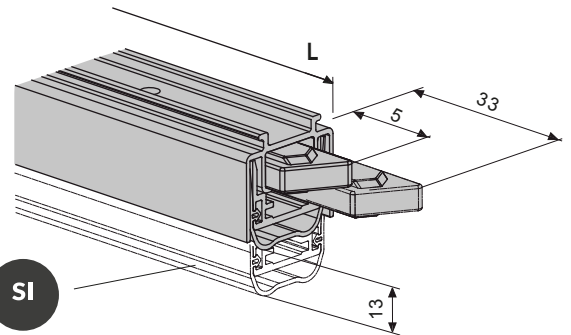
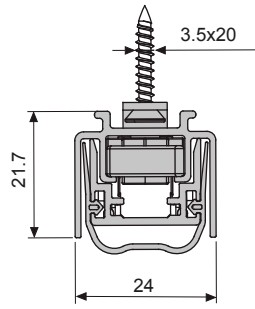


DA0551040	400	max=50	
DA0551050	500	max=100	
DA0551060	600	max=100	
DA0551070	700	max=100	
DA0551080	800	max=200	
DA0551090	900	max=200	
DA0551100	1000	max=200	
DA0551110	1100	max=200	
DA0551120	1200	max=200	
DA0551130	1300	max=200	

10

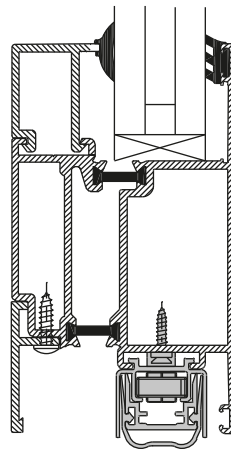
SI



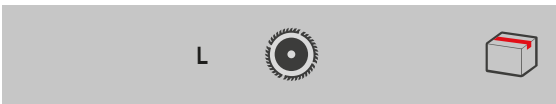
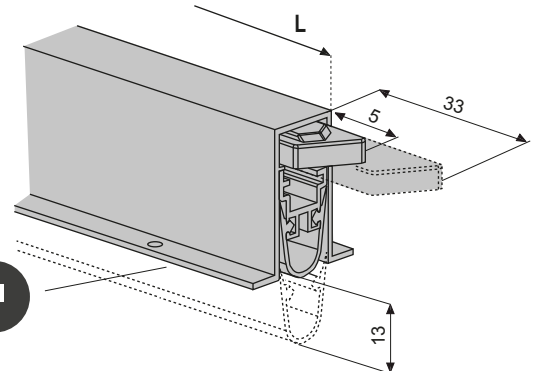
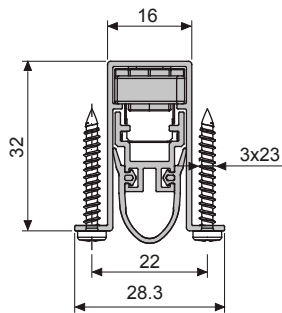


DA0581040	400	max=50	
DA0581050	500	max=100	
DA0581060	600	max=100	
DA0581070	700	max=100	
DA0581080	800	max=200	
DA0581090	900	max=200	
DA0581100	1000	max=200	
DA0581110	1100	max=200	
DA0581120	1200	max=200	
DA0581130	1300	max=200	

10

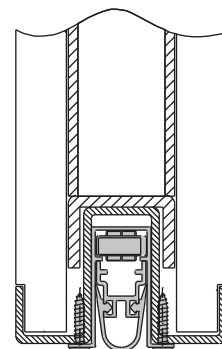
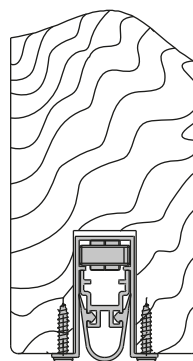


SI

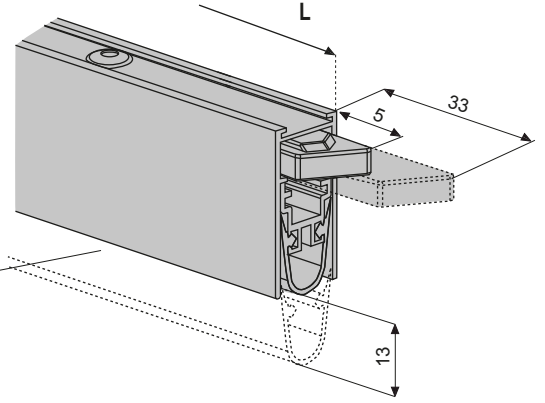
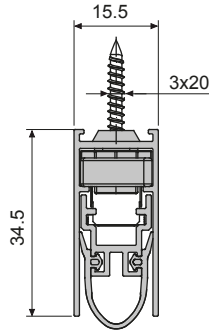


DA1001040	400	max=50	
DA1001050	500	max=100	
DA1001060	600	max=100	
DA1001070	700	max=100	
DA1001080	800	max=200	
DA1001090	900	max=200	
DA1001100	1000	max=200	
DA1001110	1100	max=200	
DA1001120	1200	max=200	
DA1001130	1300	max=200	

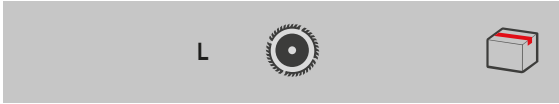
10



SI

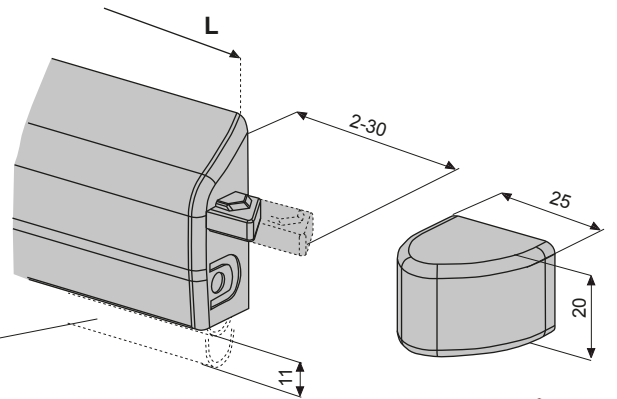
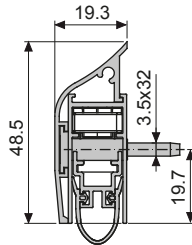
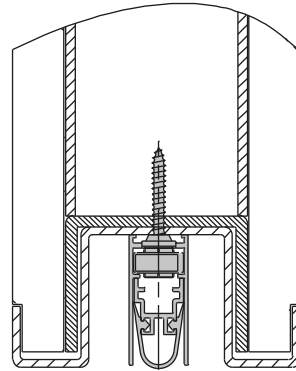
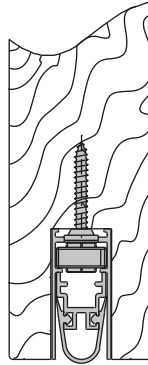


SI

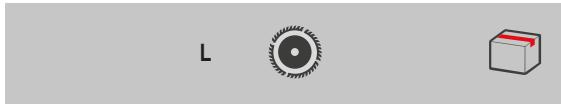


DA1051040	400	max=50	
DA1051050	500	max=100	
DA1051060	600	max=100	
DA1051070	700	max=100	
DA1051080	800	max=200	
DA1051090	900	max=200	
DA1051100	1000	max=200	
DA1051110	1100	max=200	
DA1051120	1200	max=200	
DA1051130	1300	max=200	

10

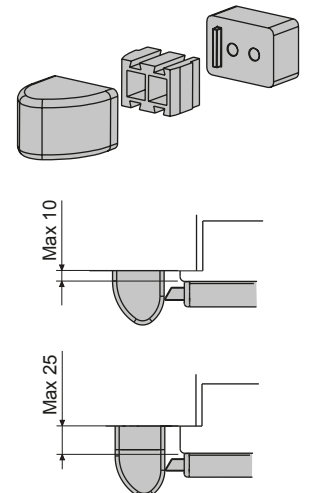
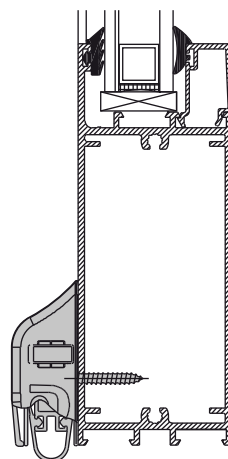
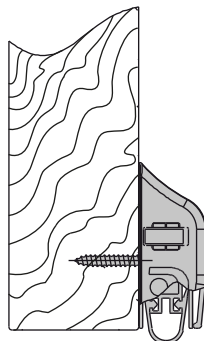


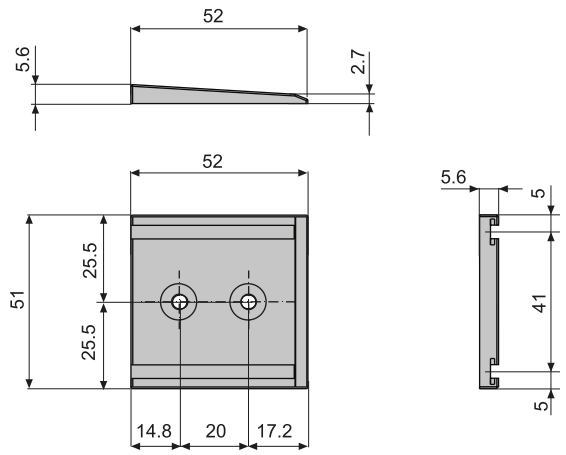
SI



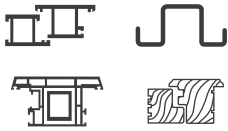
DA1061040	400	max=50	
DA1061050	500	max=100	
DA1061060	600	max=100	
DA1061070	700	max=100	
DA1061080	800	max=100	
DA1061090	900	max=100	
DA1061100	1000	max=100	
DA1061110	1100	max=100	
DA1061120	1200	max=100	
DA1061130	1300	max=100	

10

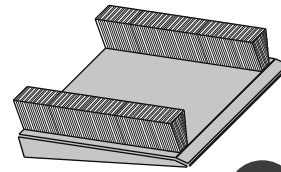
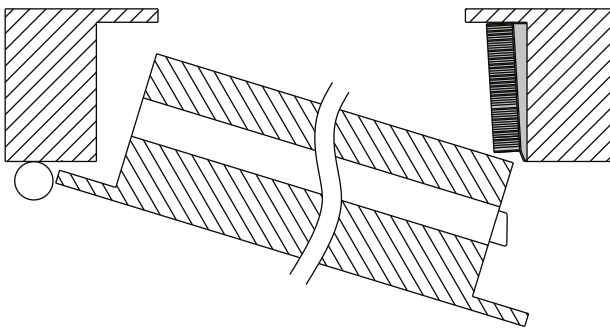




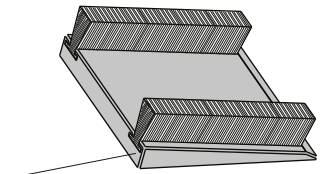
DNA004



25



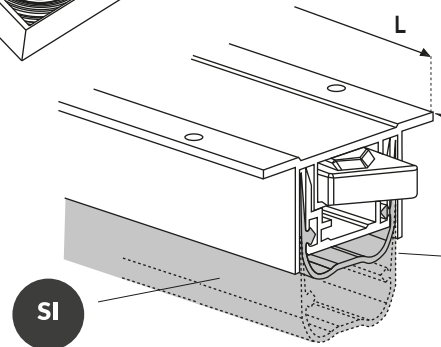
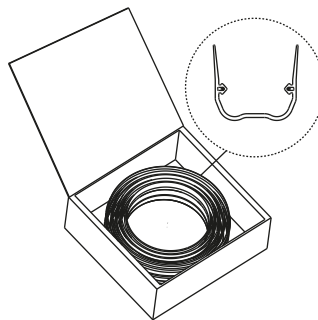
PA



DGA051A 10 m



10



SI

Art. DA0501
Art. DA0551
Art. DA0581

fapim

BENELUX

Fapim Benelux s.r.l.
Avenue Rue St. Roch , 17
7712 Herseaux Belgium
T +32 56 340548
T +32 56 341960
info-fapimbenelux@fapim.it

fapim

HISPANIA

Fapim Hispania s.L.
C/edison, esq. A. Ingeniero
Goicoechea 45600
Parcela, 74
Talavera De la Reina (Espana)
T +34 925 828357
F +34 925 841148
administracion.fapimhispania@fapim.it
pedidos_fapimhispania@fapim.it

fapim

POLSKA

Fapim Polska sp. z o.o.
ul.Przyrzecze 4 03-107
WarszawaNIP : 536-16-29-437
T +48 227813797
F +48 227811022
Gsm 609022972
fapim-fapimpolska@fapim.it

fapim

RUSSIA

Fapim RU llc
Kaluzhskaya Region
Province Borovskiy, 99km.
main way "Ukraina", building 4A
T +7 48439 97207
info@fapimru.ru

fapim

ARGENTINA

Fapim Argentina S.A.
CUIT: 30-71206299-8
Calle Gral Alvear N° 411 - 1°
Piso of 1 (B1640EWC) Martinez
Pdo. de San Isidro
Buenos Aires - Argentina
T (+54) (11) 4897-0062
y Líneas Rotativas



DP IGLOO 00 05 05-25

fapim[®]

Fapim S.p.A.
Via delle Cerbaie, 114
55011 Altopascio (LU) Italy
T +39 0583 2601 F+39 0583 25291
www.fapim.it info@fapim.it
Cod.Fisc. e Part.IV.A. 02224030466

DOMATIC[®]

DOMATIC
info@domatic.it www.domatic.it